



Ultrasonic Level Transmitter

Principle :

Ultrasonic Level Transmitter works on the principle of High Frequency sound wave travel time calculation. A high frequency sound wave emitted from a transmitter mounted inside a transducer hits the liquid surface, the time taken for the wave to return to receiver mounted inside the transducer will be proportional to liquid level.

Application :

Ultrasonic Level Transmitter is used for water, oil, chemical, diesel, beverage, juice, solvent and fuel level measurement.

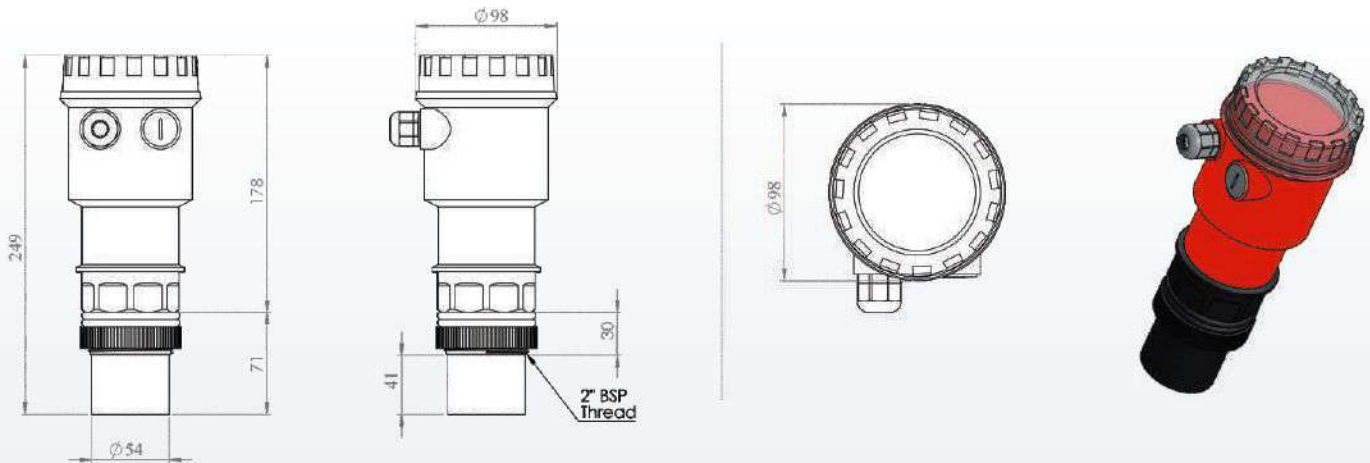
It is not suitable for liquid having high fume density, foam and highly turbulent surface.



Specifications:

Measuring Range	: 0.3 to 5mtr, 0.4 to 10mtr, 0.5 to 15mtr, 0.6 to 20mtr (Higher range on request)
Connection	: 2" BSP
Display	: LCD
Supply	: 24V DC
Output	: 4-20mA 2 wire, RS 485
Resolution	: 5mm
Beam angle	: 20°
Accuracy	: 0.5 % FS
Protection	: IP65
Temperature	: 0 to 65°C
Pressure	: ≤0.3MPa
Transducer material	: ABS, PTFE (For aggressive liquids)
Enclosure Housing	: ABS, Cast Aluminium (Optional)
Enclosure Cap	: Polycarbonate

Dimensional drawing:

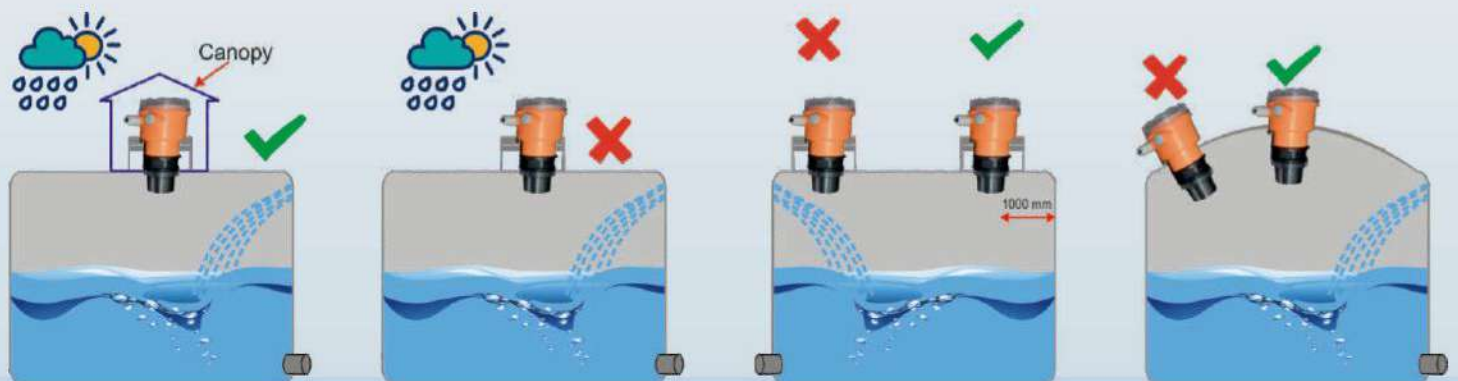


Installation :

Mount Ultrasonic Level Transmitter vertically from tank top. Secure with bolts and nuts for flange and 2" BSP threaded socket for sensor with thread. Ensure that vertical mounting angle is not more than 0° for smooth return of echo to transducer.

Always mount the sensor away from liquid falling area. Leave atleast 1000mm clearance between sensor and tank wall.

Ensure there are no protruding or hanging or rotating objects in the echo travel path.



Ordering Information

FUT L
 ↓
 05 - 5mtr
 10 - 10mtr
 15 - 15mtr
 20 - 20mtr
 30 - 30mtr

↓
 Out put :
 4 - 4 - 20mA
 R - RS 485
 B - Both

↓
 Transducer:
 A - ABS
 P - PTFE

↓
 Enclosure:
 P - Plastic
 A - Aluminium

