

# Hydrostatic Level Transmitter

## Description:

Model LV36 submersible liquid level transducers and transmitters with flush diaphragm is designed for a wide variety of level measurement applications. This model pressure sensor and is protected by the stainless steel (SS) housing. Featuring the flush diaphragm makes the LV36 suitable to measure viscous media or media with small particles, so as to have diverse measurement applications.

The standard reference pressure is gauge (or relative) pressure realized through a vent tube in the cable. The reference pressure can also be absolute pressure on request.

The measuring range of LV36 transmitters spans from 0-1 to 0-200 meter water column (mH<sub>2</sub>O) with measuring accuracy of 0.5%fs (fs = full scale). The output signal of transmitters can be configured to either current loop (4-20mA, standard), voltage output (0.5-4.5V, 1-5V), or digital output (I<sup>2</sup>C or SPI). The millivolt signal directly from the Wheatstone bridge circuit is also available on request (transducer version).

## Features :

- measuring ranges: 0-1m, 2m, 3m, 5m, 6m, 8m, 10m, 12m 15m Higher length on request
- output signal: 4-20mA (standard), other o/p optional  
(-80mV @5Vdc) available on request
- accuracy: 0.5%fs
- compensated temperature range: 0-70°C
- materials: 316L SS (pressure membrane), 316 SS (housing)
- construction: all stainless steel housing, rigid and robust
- environment protection: IP68



## Technical Data

Parameters		Units	Specifications
measuring media			viscous fluid, or fluid with particles which is compatible with 316L SS
measuring ranges*		mH <sub>2</sub> O	1m, 2m, 3m, 5m, 6m, 8m, 10m, 12m, 15m
overload		%fs	150
output signal	for transmitters		4-20mA (standard).
	for transducers	mV/V	≥ 15
power supply	for transmitters	Vdc	24 (typical), 12, ..., 36
excitation	for transducers	Vdc	5, ..., 10
		mA	0.5, ..., 2
accuracy		%fs	≤ ±0.5
long-term stability		%fs/year	≤ ±0.2 (standard), ≤ ±0.1 is available on request
response time		ms	< 1 (10%-90% of leading edge)
input resistance	for transducers	Ω	2000-8000
output resistance		Ω	3500-6000
load resistance	for transmitters	Ω	250-1150
insulation resistance		MΩ @500Vdc	> 500 (transducer only)
storage temperature range		°C	-40-+100
operating temperature range		°C	-20-+85
compensated temperature range		°C	0-70
temperature coefficient of zero		%fso/C	≤ ±0.02
temperature coefficient of span		%fso/C	≤ ±0.02
process connection			submersible in
electrical connection			Φ7.3mm, 4-core shielded black PVC cable with/without a vent tube
membrane material			316L SS
housing material			316 SS
environment protection		IP rating	IP68
weight (without cable)		gram	~250

# Hydrostatic Level Transmitter

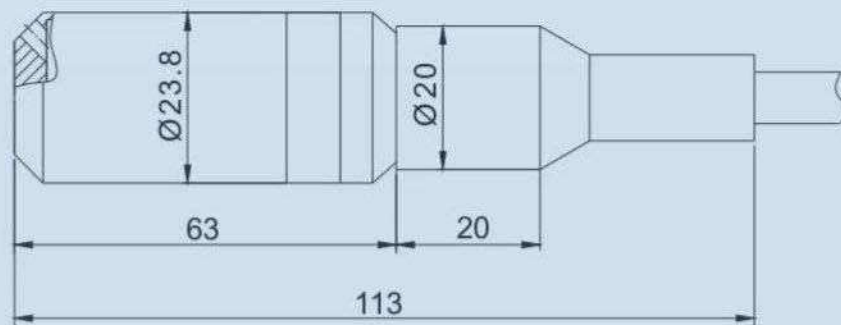
## Ordering Information

<b>position (pos.) 1: model</b>					
LV36					
<b>pos. 2: measuring ranges</b>					
0-1m, 2m, 3m, 5m, 6m, 8m, 10m, 12m 15m					
<b>pos. 3: pressure referene</b>					
G: gauge pressure (standard)			A: absolute pressure		
<b>pos. 4: output signal</b>					
4/20mA (standard)		1/5V	0.5/4.5V	iC	SPI
<b>pos. 5: accuracy</b>					
0.5% fs					
<b>pos. 6: electrical interface</b>					
<p>Φ7.3/2(*)/PVC/vent/2m = Φ7.3mm, 2-core(*) shielded black PVC cable, with a vent tube (for gauge pressure), cable length = 2m, this length is determined by customers.</p> <p>(*) : 2-core cable for 4~20mA output; 3-core cable for 0~5V or 0~10V output;</p>					
<b>pos.1</b>	<b>pos. 2</b>	<b>pos. 3</b>	<b>pos. 4</b>	<b>pos. 5</b>	<b>pos. 6</b>

The listed specifications and dimensions are subject to change without prior notice.

Make : BCM Sensor, Belgium

## Dimensions



Note: All dimensions are in mm.

